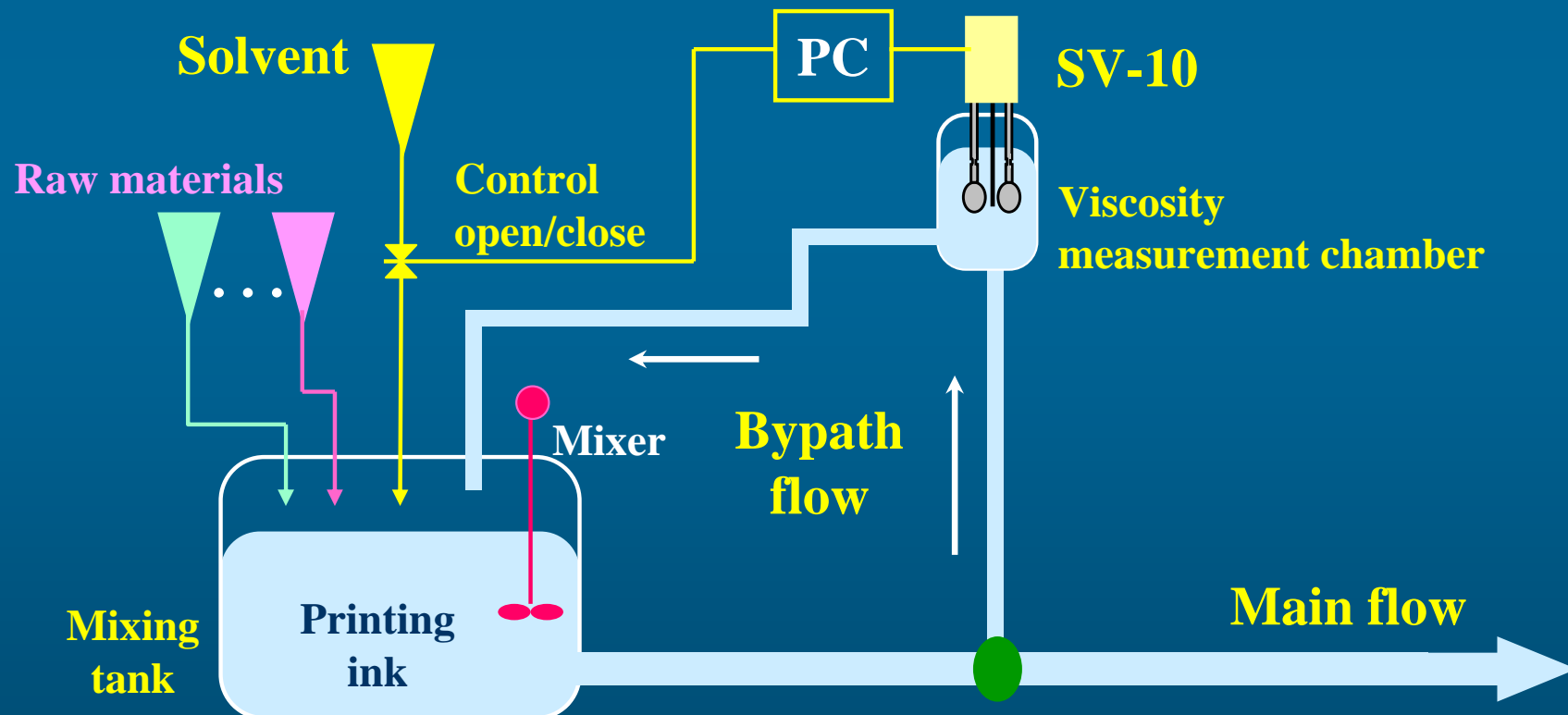


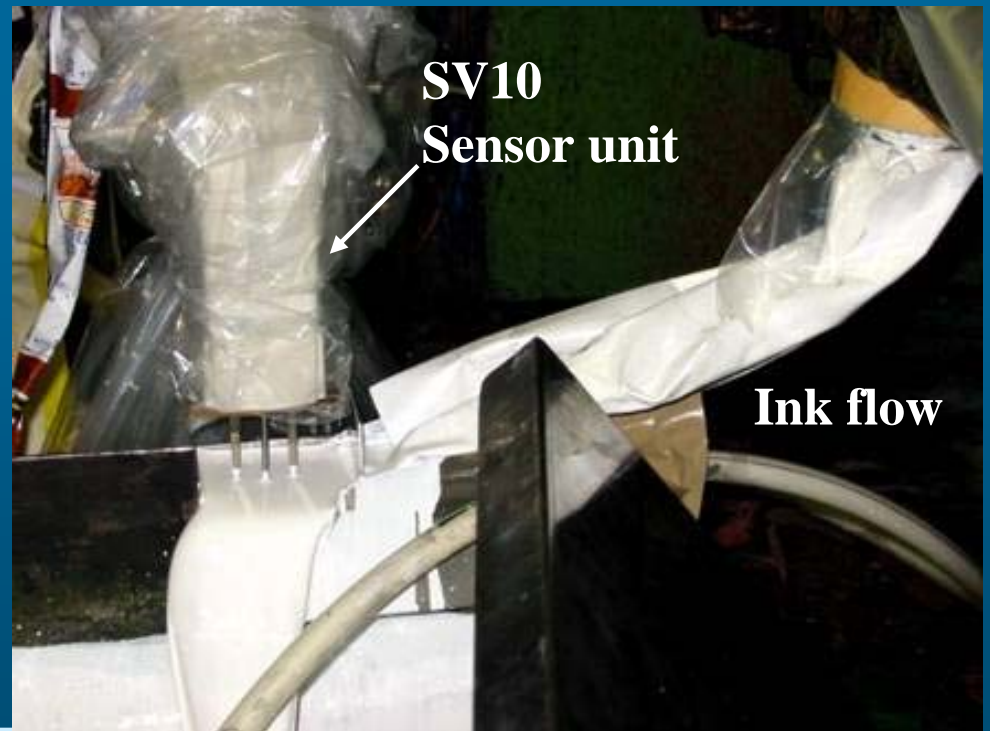
..Paint and Ink

- 1.Department. Production
- 2.Material. Printing ink
- 3.Applications.
 - .Measurement of ink viscosity
 - .SV-10 is good correlated with Cup.type viscometer.
 - .They want to manage a viscosity **automatically in line.**





**SV10
Display unit**



**SV10
Sensor unit**

Ink flow

Viscosity measurement in line.